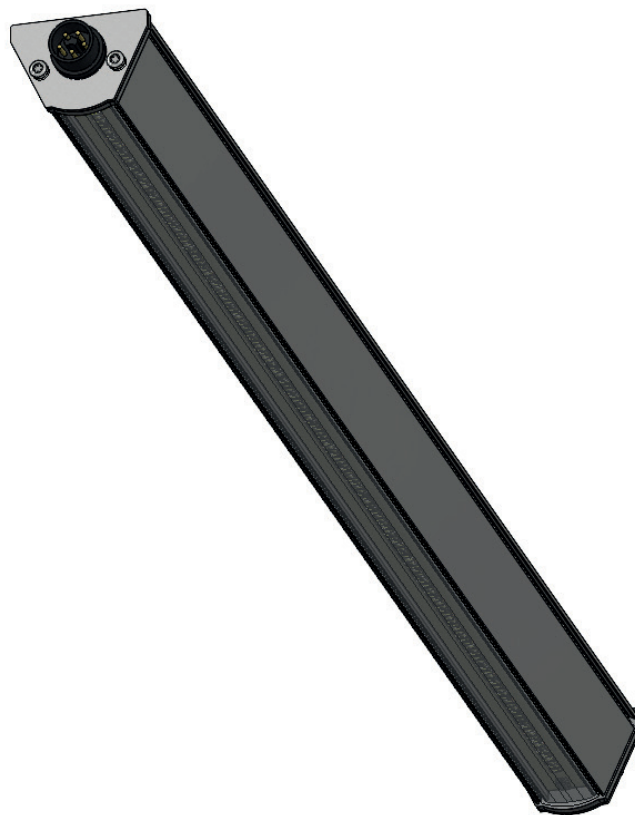


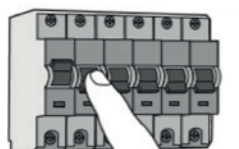
This manual is for usage with shown product family on this page in IP65 specification only.

Manual Cador / IP65 / V04 / 2022-09-01



	Page
Specifications & Coupling _____	3
Mounting & Diagrams _____	4
General disclaimers _____	6





OFF

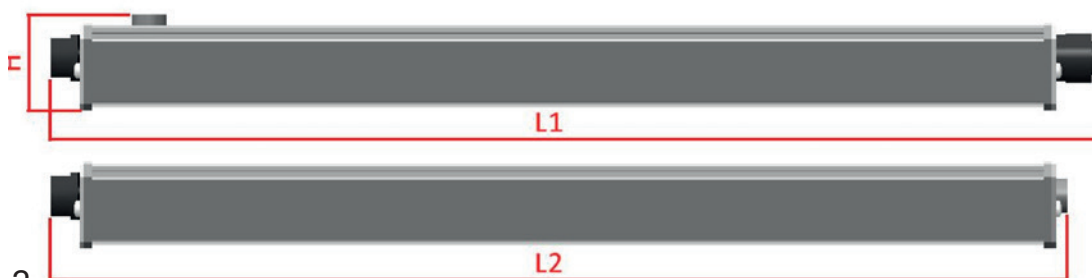
1



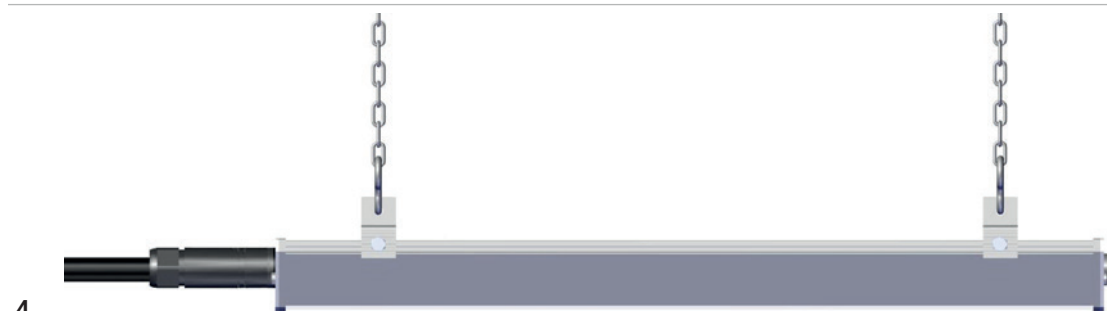
2



Measurements (L1)	823.9 mm
Measurements (L2)	808 mm
Measurements (WxH)	62 x 44.1 mm
Ambient working range	-25 °C - 35 °C
Storage	0 °C - 40 °C
Relative humidity	5% - 85% RH-not condensing
Rated voltage range	230 V ~ 50 /60 Hz
Power range 800 mm	10 - 65 W
DALI	Optional
Cable specification stand-alone installation	1 mm ²
Cable specification non-continuous installation	2.5 mm ²



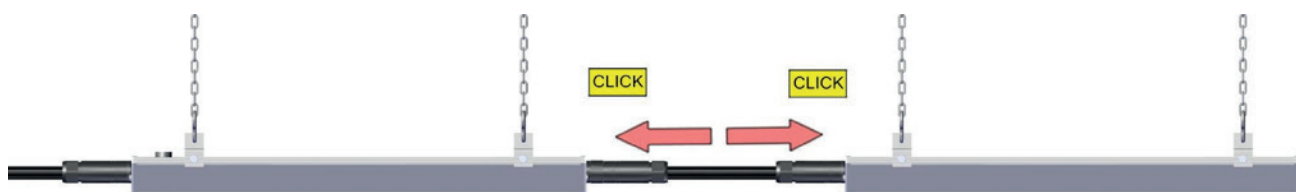
3



4



5

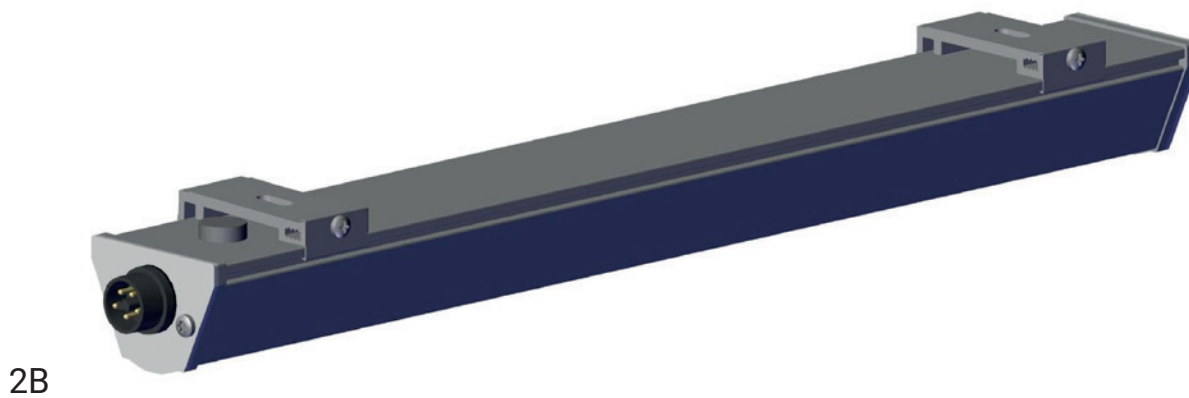
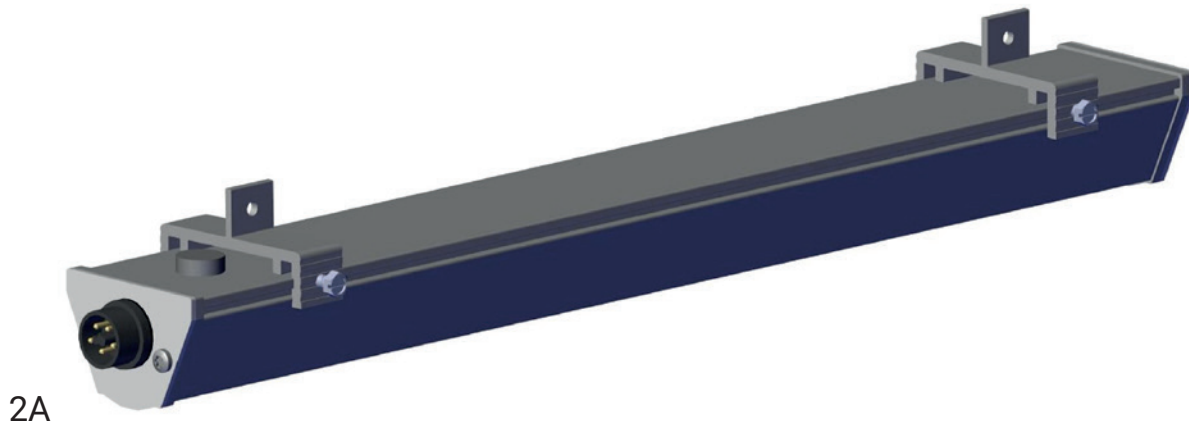
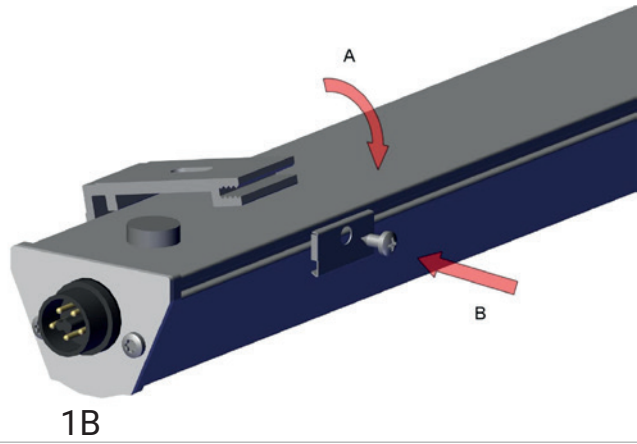
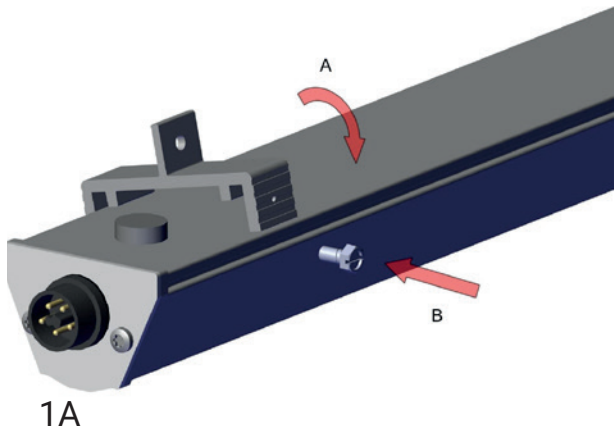


6

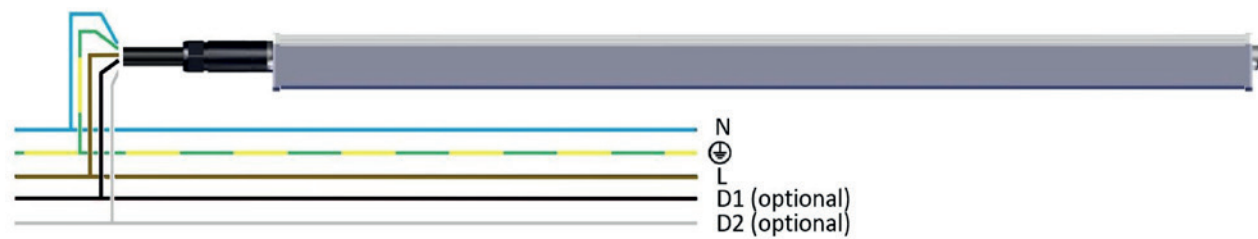
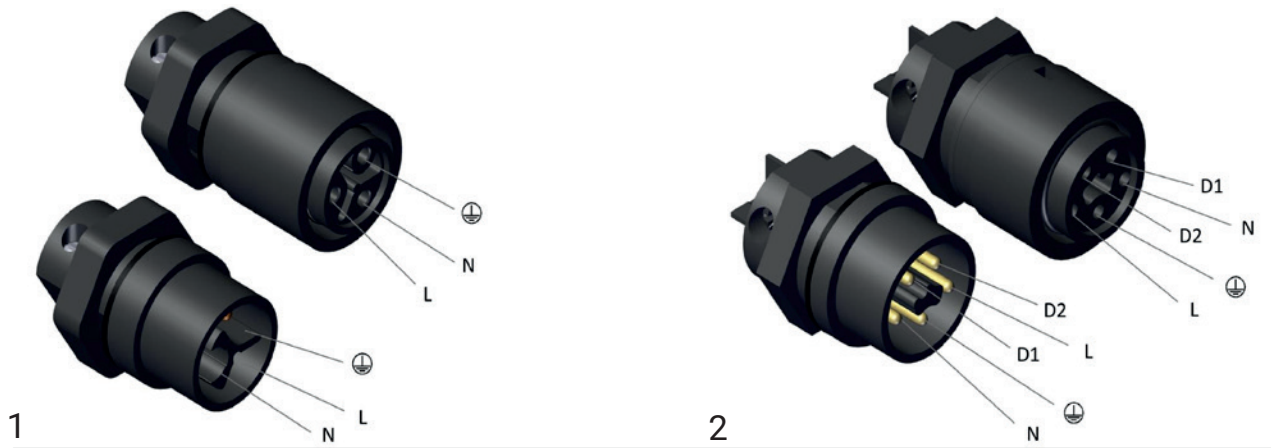
- 1 Switch off the mains before operating the Cador lighting system.
- 2 Specifications.
- 3 Product dimensions.
- 4 Stand-alone installation. The single unit can be connected to the grid using 1 mm² or thicker cable.

- 5 Non-continuous line installation. The first unit of a non-continuous line can be connected using 2.5 mm² or thicker cable.
- 6 In case of a non-continuous line maximum 38 additional units of 808 mm can be connected using jumper cables of the same specifications.

Note: It is critical to use the end unit as the last unit to maintain the IP65 class.



- 1 The brackets can be mounted as following:
 A Clicking the bracket on the profile
 B Screwing the bracket on the profile
- 2 The unit can be mounted with the brackets:
 A B7S0-R.
 B B3-R.



3

- 1 Connection with 3 pole Wieland connectors (Fixed).
- 2 Connection with 5 pole Wieland connectors (DALI - optional).
- 3 Connection to the grid. Note: The single unit can be connected to the grid using 1 mm² or thicker cable.

The first unit of a non-continuous line can be connected using 2.5 mm² or thicker cable.

Important

- Caution, risk of electric shock!
- Hot plug-in is not an option and may cause damage to the luminaire.
- Disconnect the mains before installing or modifying this product.
- Installation and commissioning of the luminaire must be performed by a qualified electrician in accordance with all national and/or local regulations.
- Install all Cador fixtures before connecting to the grid.
- NEVER install this product without reading this installation guide.
- NEVER stare into this product when switched on.
- NEVER modify or alter this product, this will result in loss of warranty.
- Read the product labels carefully for all product details.
- This product is not suitable for signal functions and / or emergency function.
- This product is not suitable for off-grid power solutions.
- On this product no condensation is allowed during storage, operation and application.
- Use IP65 or higher class connectors and / or junction boxes with this product.
- Maximum length of top lights with jumper cables ≤ 50 m.
- A maximum of 38 luminaires of 808 mm are connected in series, maximum wire length of 50 metres in a row, this includes the length of the luminaires.
- When operating the electrical connections and connecting to the mains or grid always work according to standard NEN 1010 and NEN 3140.

Note

- The light source of this product is custom made and non-replacable.
- At end of life, the whole product needs to be replaced by the manufacturer or his service agent or a similar qualified person
- This product is not intended for household usage.
- Take care with the usage of power cables and prevent damage to the cables when installing them.
- Avoid touching the product if active, it might cause harm due to heat.
- This product has build-in thermal protection. In case of overheating the device will dim and / or shut down.
- When the product is unpacked, take care of placement. Do not let the product rest on top of the optics, damage to optics will result in light output loss.
- The manufacturer is not liable for damages resulting from improper or faulty installation or operation from unauthorized modifications to the luminaire.
- Specifications are subject to change without notice! If you have questions please contact the manufacturer.
- Take appropriate precautions: wear gloves.
- Keep at least one copy of this document as future reference material.

Cable

- If jumper cables are used, the total length of the conductors will be limiting.
- The used wiring inside the Cador fixture is 2.5 mm² for through wiring, with a maximum of 38 luminaires connected in series.

Cleaning

- ALWAYS switch off the power to the product before cleaning.
- This product can be cleaned with a damp cloth.
- Choose cleaning materials which are suitable for plastic.
- Do not use coarse or rough cleaning tools on this product.
- Do not use bleach or solvents on this product.
- Do not use any type of high pressure equipment to clean this product.
- Do not submerge this product.