

MAGNUS LINEAR LED

IP20 - IP40 - IP54

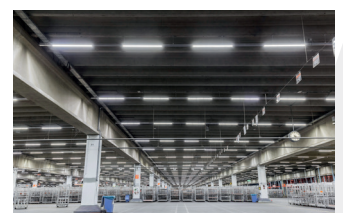
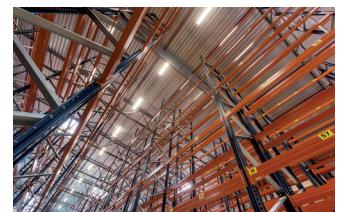
CE  LM-79 LM-80



The Magnus offers carefree LED lighting for years and years. These linear LED luminaires still look brand new after years of service, and they can be applied in every thinkable industrial space. From car parks and production halls to warehouses, shopping centres, sports halls and swimming pools: Veko always has the best linear LED solution available. By applying aluminium end caps, the luminaires can be connected together. Continuous lights lines are thus realized.

Good lighting results in job satisfaction. With its unique lumen per watt output, Magnus excels in luminaire efficiency and uniformity. This truly stimulates productivity! The use of aluminium in our linear lighting also ensures a great temperature management: Veko LED lighting operates effortlessly at ambient temperatures from -20 °C - +35 °C or even higher. At Veko, an warranty of 10 years is therefore possible.

To save even more on your energy costs, choose a light management system. Thanks to intelligent control, your main and emergency lighting requires less maintenance and the dimming function of the luminaires operates more efficiently. Veko's lighting lines are not only some of the most energy-efficient in the world, but also the most sustainable. The equipment is supplied with virtually no packaging, is 100 per cent recyclable and is easily refurbished, even after 45 years.



CLEVER
SWIFT
SOLID

Technical information

Length	1,030 mm	1,530 mm	2,030 mm
Output flux	1,700 - 19,500 lm		
Wattage	11.3 - 122.4 W		
Voltage	220 - 240 V		
Frequency	50 ÷ 60 Hz		
Power factor	>0.9		
Drivers	Signify or Osram		
Operational temperature*	-20 °C to +35 °C (on request higher or lower temperatures possible)		
Weight	approx. 7.3 pounds per m, including profile and accessories		
Application	Industrial areas, sports venues, swimming pools, retail and cold stores		
Installation height	2 - 20 m		
Colour temperature	Natural white (± 4,000 K) On request other colour temperatures possible (3,000 - 6,500 K)		
Colour Rendering Index (CRI)	>80 (>90 possible)		
Lens options	Narrow, Semi Wide, Wide, X-Wide, Diffuse and Circular		
Cover material	Polycarbonate, PMMA		
Material	Untreated aluminium		
Colour	Untreated aluminium, anodized and RAL colours		
Impact resistance	IK07 / IK10		
IP code	IP20 - IP40 - IP54		
Options	DALI, CLO, corridor, centralized and decentralized emergency lighting		
Warranty	L85B10 / at least 5 year warranty / Ta 35 °C		
Expected life span	It is possible to reach 100,000 hours		
BREEAM norms	Yes		
NOC*NSF B1 (Ballproof)	Yes		

* Fixtures equipped with decentralized emergency lighting batteries have an operational temperature of +5 °C to +25 °C.

Versions

Lens optics	Application	Installation height	Impact resistance
Magnus Narrow	High racks and open areas	6 - 20 meter	IK07 / IK10
Magnus Semi Wide	High racks and open areas	5 - 15 meter	IK07 / IK10
Magnus Wide	Open areas	2 - 10 meter	IK07 / IK10
Magnus X-Wide	Open areas	2 - 6 meter	IK10
Magnus Diffuse	Open areas	2 - 10 meter	IK07 / IK10
Magnus Circular	Open areas	2 - 10 meter	IK07 / IK10

On the initial performance, a tolerance of ± 10% is applicable, according to IEC. Technical data subject to change.

CLEVER
SWIFT
SOLID

MAGNUS LINEAR LED

IP20 - IP40 - IP54

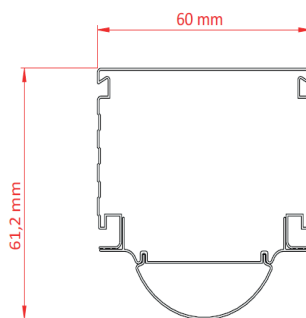
MAGNUS NARROW



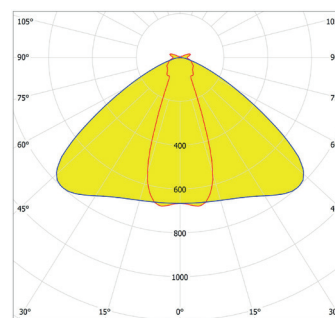
Luminaire



Dimensions



Polar diagram



Product code IP20-IP40	Product code IP54	Product code IP65	Length (mm)	Wattage (W)	Output flux (lm)	Lumen/Watt
LN-N-312	LH-N-312	LW-N-312	1.030	11,4 - 61,9	1.800 - 8.300	133 - 154
LN-N-352	LH-N-352	LW-N-352	1.530	11,3 - 92,2	1.800 - 12.400	133 - 171
LN-N-355	LH-N-355	LW-N-355	1.530	16,6 - 122,4	2.700 - 17.850	145 - 167
LN-N-362	LH-N-362	LW-N-362	2.030	11,5 - 105,7	1.800 - 14.750	138 - 164

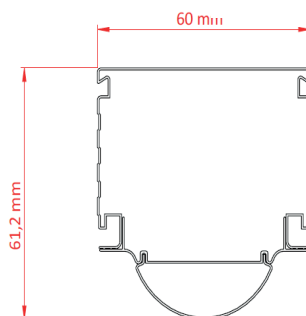
MAGNUS SEMI WIDE



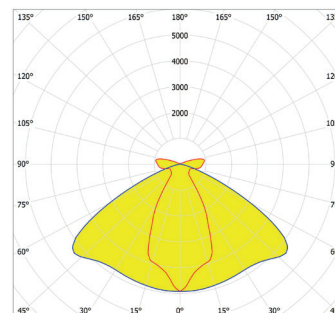
Luminaire



Dimensions



Polar diagram



Product code IP20-IP40	Product code IP54	Product code IP65	Length (mm)	Wattage (W)	Output flux (lm)	Lumen/Watt
LN-S-312	LH-S-312	LW-S-312	1,030	11.4 - 61.9	1,700 - 8,000	130 - 149
LN-S-352	LH-S-352	LW-S-352	1,530	11.3 - 92.2	1,700 - 12,000	130 - 166
LN-S-355	LH-S-355	LW-S-355	1,530	16.6 - 122.4	2,600 - 17,250	141 - 162
LN-S-362	LH-S-362	LW-S-362	2,030	11.5 - 105.7	1,700 - 14,250	135 - 158

On the initial performance, a tolerance of $\pm 10\%$ is applicable, according to IEC. Technical data subject to change.

CLEVER
SWIFT
SOLID

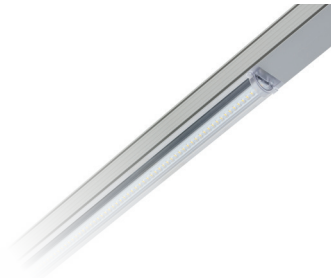
MAGNUS LINEAR LED

IP20 - IP40 - IP54

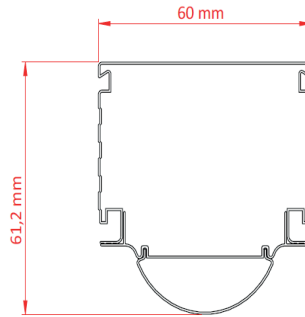
MAGNUS WIDE



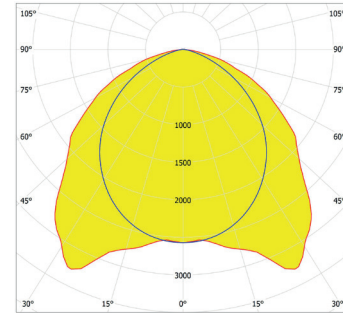
Luminaire



Dimensions



Polar diagram



Product code IP20-IP40	Product code IP54	Product code IP65	Length (mm)	Wattage (W)	Output flux (lm)	Lumen/Watt
LN-W-312	LH-W-312	LW-W-312	1,030	11.4 - 61.9	1,900 - 8,950	141 - 166
LN-W-352	LH-W-352	LW-W-352	1,530	11.3 - 92.2	1,900 - 13,400	141 - 185
LN-W-355	LH-W-355	LW-W-355	1,530	16.6 - 122.4	2,800 - 19,250	153 - 181
LN-W-362	LH-W-362	LW-W-362	2,030	11.5 - 105.7	1,900 - 15,900	146 - 176

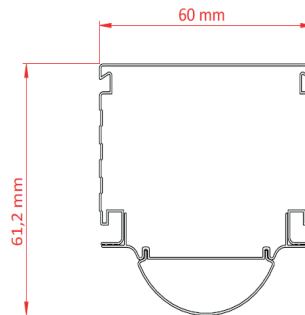
MAGNUS X-WIDE



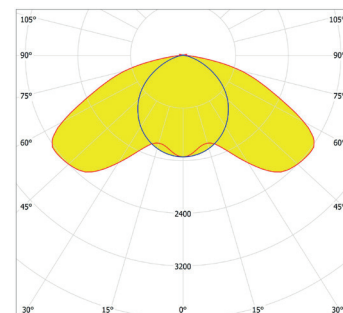
Luminaire



Dimensions



Polar diagram



Product code IP20-IP40	Product code IP54	Product code IP65	Length (mm)	Wattage (W)	Output flux (lm)	Lumen/Watt
LN-XW-312	LH-XW-312	LW-XW-312	1,030	12.8 - 53.3	1,900 - 7,400	139 - 147
LN-XW-352	LH-XW-352	LW-XW-352	1,530	12.4 - 74.5	1,900 - 10,500	141 - 148
LN-XW-355	LH-XW-355	LW-XW-355	1,530	12.4 - 91.9	2,800 - 14,000	152 - 160
LN-XW-362	LH-XW-362	LW-XW-362	2,030	12.5 - 102.4	1,900 - 14,400	140 - 152

On the initial performance, a tolerance of $\pm 10\%$ is applicable, according to IEC. Technical data subject to change.

**CLEVER
SWIFT
SOLID**

MAGNUS LINEAR LED

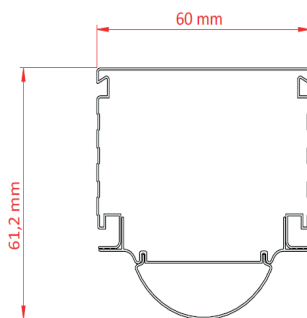
MAGNUS DIFFUSE



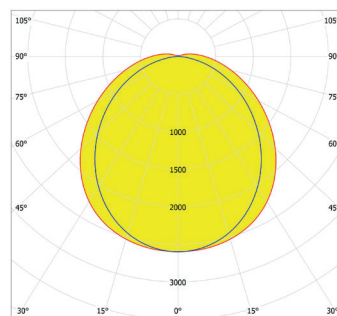
Luminaire



Dimensions



Polar diagram



Product code IP20-IP40	Product code IP54	Product code IP65	Length (mm)	Wattage (W)	Output flux (lm)	Lumen/Watt
LN-D-312	LH-D-312	LW-D-312	1,030	11.4 - 61.9	1,900 - 9,050	141 - 168
LN-D-352	LH-D-352	LW-D-352	1,530	11.3 - 92.2	1,900 - 13,550	141 - 187
LN-D-355	LH-D-355	LW-D-355	1,530	16.6 - 122.4	2,800 - 19,500	153 - 182
LN-D-362	LH-D-362	LW-D-362	2,030	11.5 - 105.7	1,900 - 16,100	146 - 178

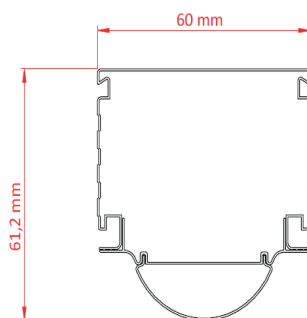
MAGNUS CIRCULAR



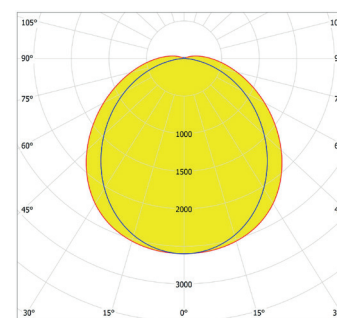
Luminaire



Dimensions



Polar diagram



Product code IP20-IP40	Product code IP54	Product code IP65	Length (mm)	Wattage (W)	Output flux (lm)	Lumen/Watt
LN-C-312	LH-C-312	LW-C-312	1,030	11.4 - 61.9	1,900 - 9,050	141 - 168
LN-C-352	LH-C-352	LW-C-352	1,530	11.3 - 92.2	1,900 - 13,550	141 - 187
LN-C-355	LH-C-355	LW-C-355	1,530	16.6 - 122.4	2,800 - 19,500	153 - 182
LN-C-362	LH-C-362	LW-C-362	2,030	11.5 - 105.7	1,900 - 16,100	146 - 178

On the initial performance, a tolerance of $\pm 10\%$ is applicable, according to IEC. Technical data subject to change.

CLEVER
SWIFT
SOLID

MAGNUS LINEAR LED

IP20 - IP40 - IP54

AHOLD



ROYAL FLORAHOLLAND



CLEVER
SWIFT
SOLID

Magnus - EN v1.0 01/09/21